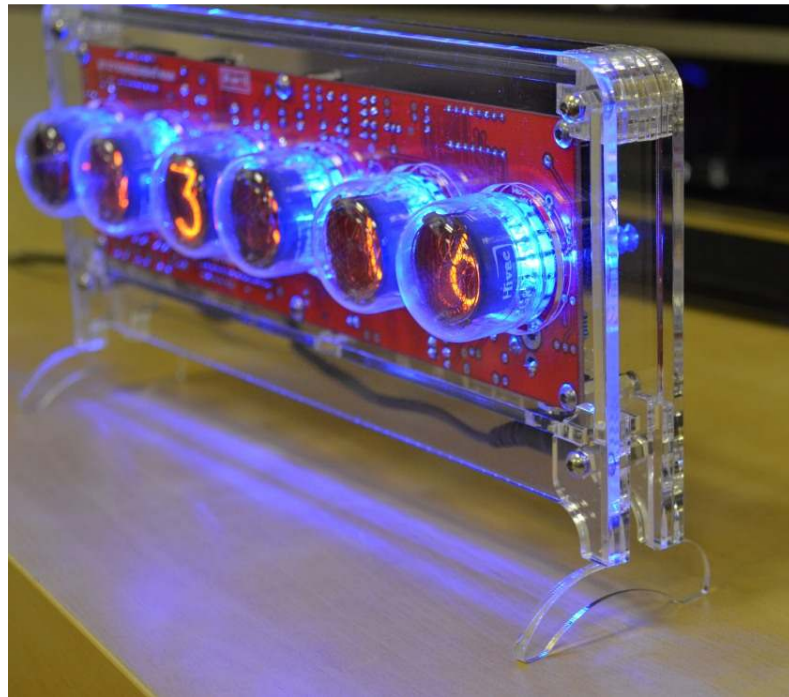


Assembly Notes

Plexiglass Case For Halo Nixie Clock



REVISION HISTORY



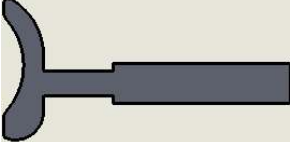


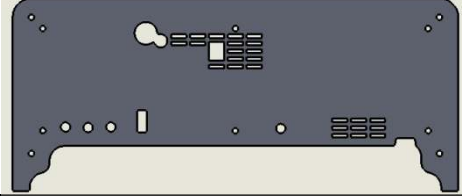



Issue Number	Date	Reason for Issue
1	10 March 2013	New document

1. APPLICABILITY

This case is suitable for the following versions of the Halo Nixie clock:

PCB dates: 28 Jan 12, 05 Jan 13

2. PACK CONTENTS

Component	Qty	Further info
Upper Connector	10	
Lower Connector (5mm)	4	
Case Foot	2	
Case Top	1	
Case Bottom	1	
Case Rear	1	
Case Front	1	
M3 X 6mm screw	20	
M3 X 15mm hex threaded spacer	4	
M3 X 11mm hex threaded spacer	6	

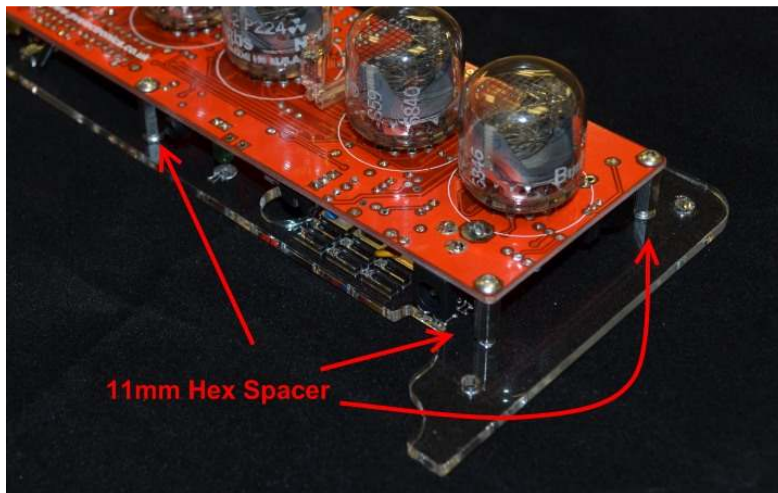
3. ASSEMBLY NOTES

3.1 Prepare the plastic parts

Remove all protective film from both sides of all the plastic parts. Note that the smaller connectors may have already had the coating removed to help easier assembly.

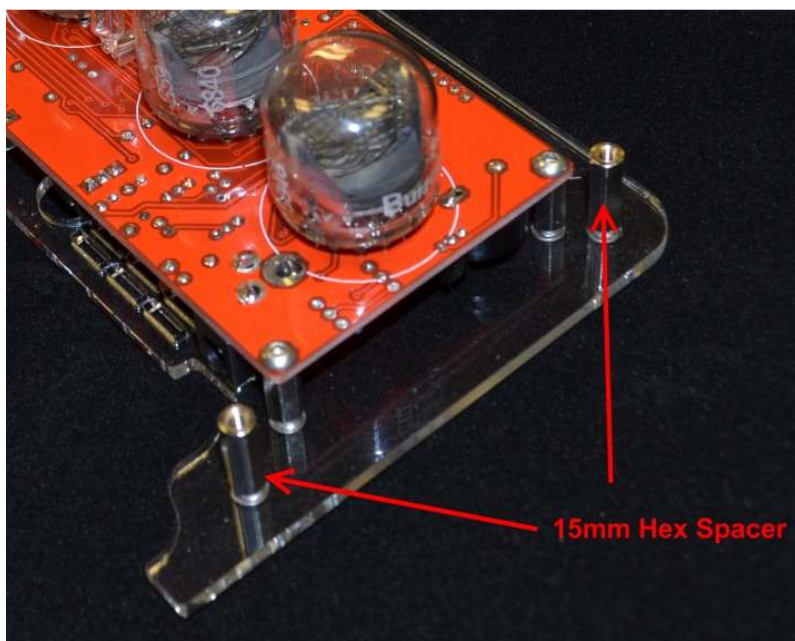
3.2 Mount the PCB spacers on the case rear

Using the six shorter (11mm) hex spacers, screw the PCB to the case rear.



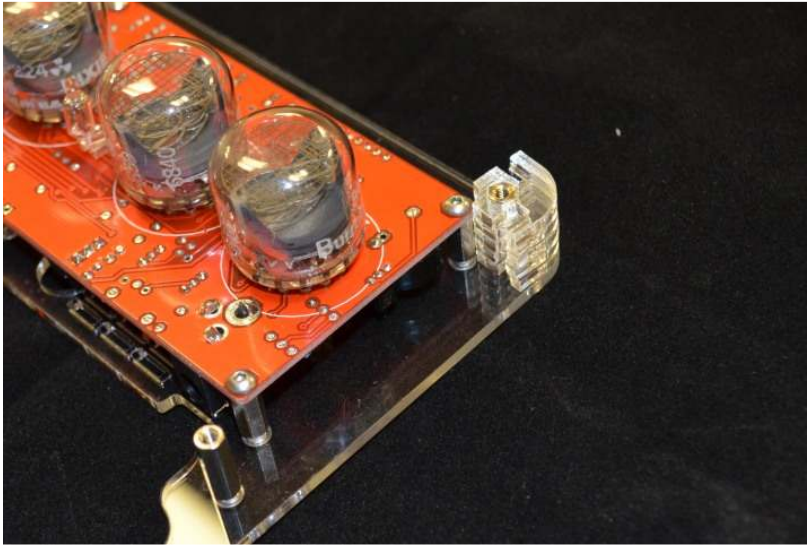
3.3 Place the 15mm spacers

Attach the four 15mm spacers, one at each corner. Leave the spacers slightly loose at this stage - do not tighten the screws.



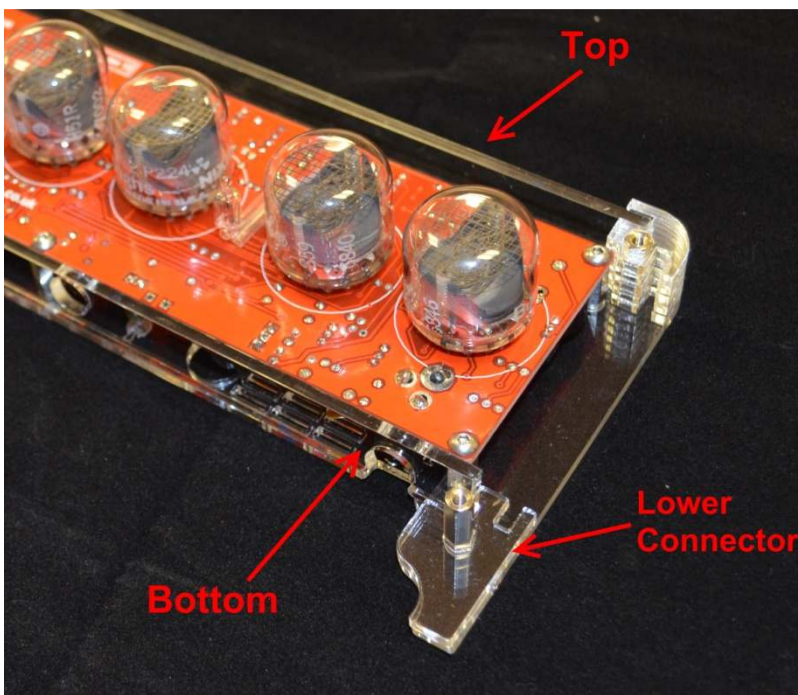
3.4 Place the upper connectors

Slide the upper connector pieces onto the hex spacers at the top of the case. Place five connectors at each of the top corners:



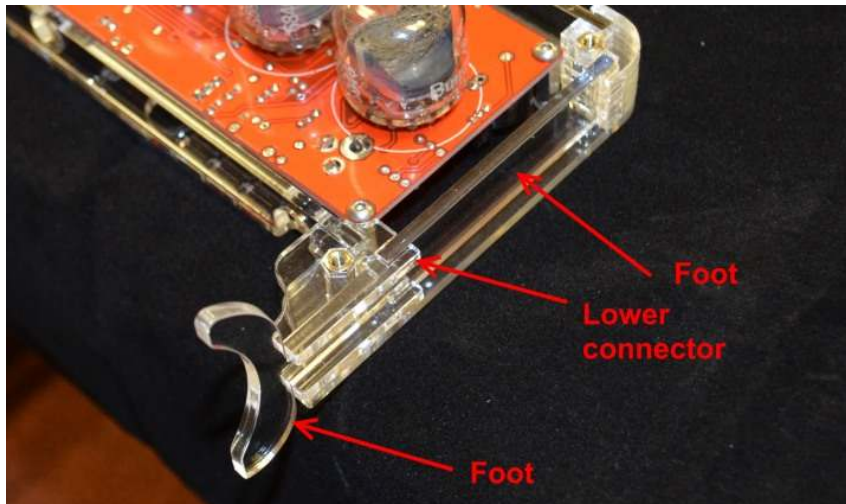
3.5 Place lower connectors

Slide a lower connector onto each of the lower hex spacers, and also place the top and bottom components:



3.6 Place the feet

It helps to position the case on the edge of a desk to install the feet, then place another lower connector onto the hex spacer:



3.7 Final Assembly

Place the front cover on, and secure with 4 X M3 screws. Now tighten all the back screws that were left loose in step 3.3